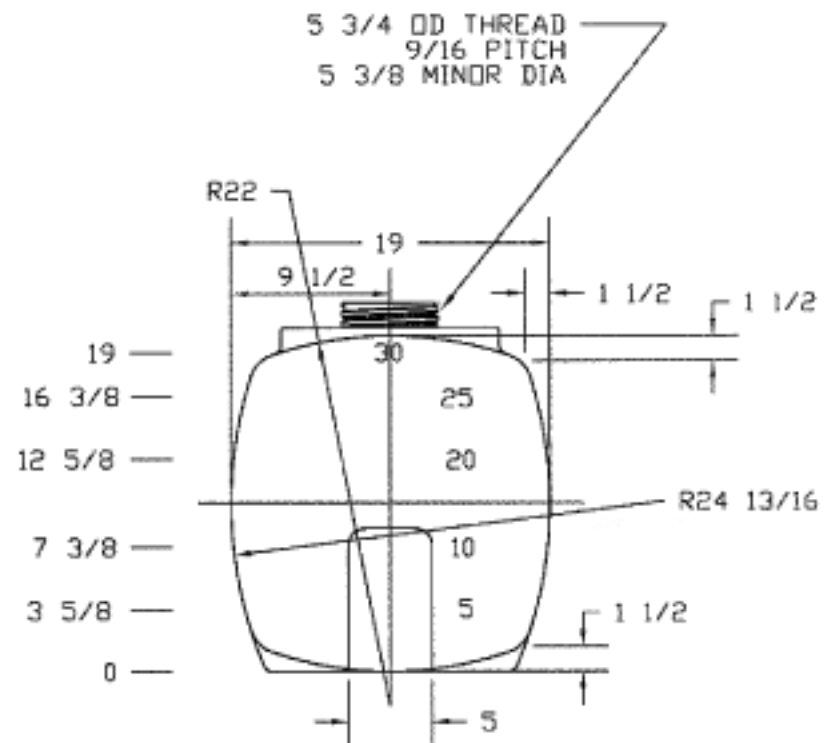


REVISIONS				
ZONE	REV	DESCRIPTION	DATE	APPROVED



30 GALLON PCO TANK

JTP	22JUL99	SIZE	FSOM NO.	DWG NO.	REV
		B			
SCALE 1/8		SHEET			